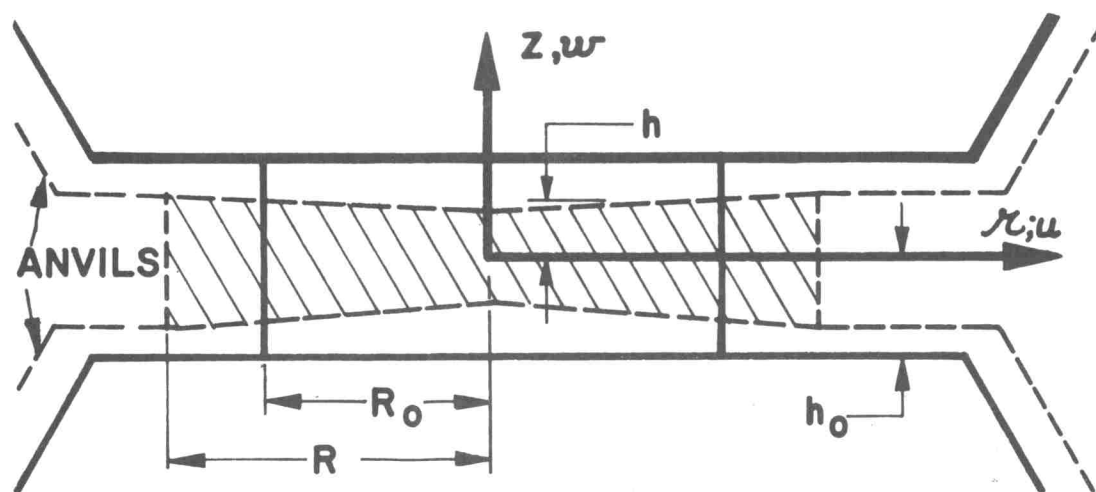


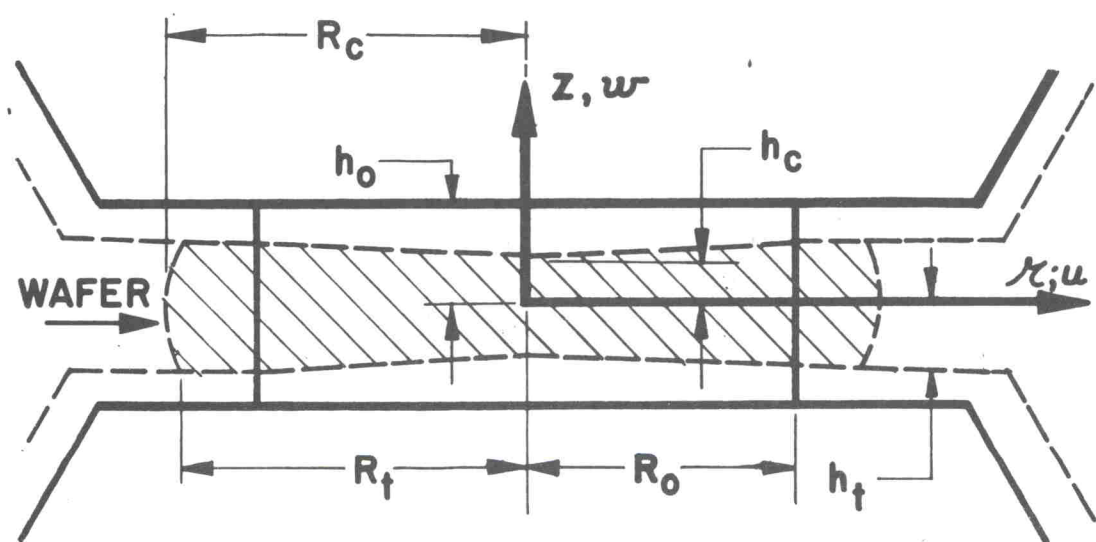
LEGEND:

INITIAL STATE

LOADED CONDITION



ONE-DIMENSION VARIATIONS



TWO-DIMENSIONAL VARIATIONS

FIG. 1 POSTULATED WAFER PROFILE FOR ONE-AND TWO-DIMENSIONAL ANALYSIS.